



5,5 VAN

TWO POST HYDRAULIC LIFT

Basic information



Lightweight trucks and vans

5500

Loading capacity [kg]

**3863/4163/4463/
4763/5263**

Maximum clearance height [mm]

2765

Clearance width [mm]

1985

Maximum height of arm [mm]

129

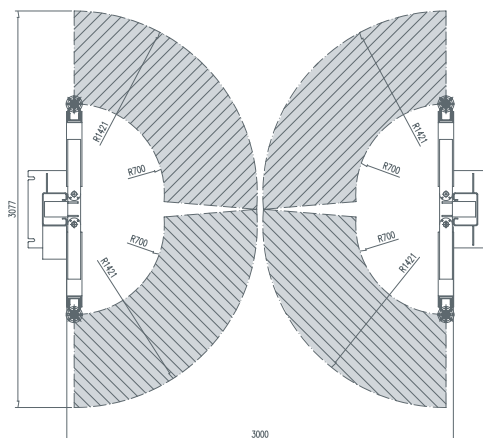
Minimum height of arm [mm]

3,0

Motor [kW]



- LOADING CAPACITY 5500 kg
- SYMMETRIC DESIGN
- HYDRAULIC DRIVE HIGHLY EFFICIENT AND ECONOMICAL
- ERGONOMIC POWER PACK COVER
- HEIGHT LIMIT CONTROL SWITCH TO PROTECT THE CAR
- VARIABILITY IN POSTS EXTENSIONS 4000 mm, 4300 mm, 4600 mm, 4900 mm (LIMITING VALUE 5400 mm)
- SET OF TRUCK ADAPTORS 50 mm AND 100 mm
- EASY OPERATION
- CZECH MADE
- LIFTS ARE DESIGNED AND MANUFACTURED IN ACCORDANCE WITH ČSN EN 1493:2010



Advantages



VARIETY OF HEIGHTS 4000 mm, 4300 mm, 4600 mm, 4900 mm (LIMITING VALUE 5400 mm)



DOUBLE-ACTING SWITCHING SYSTEM



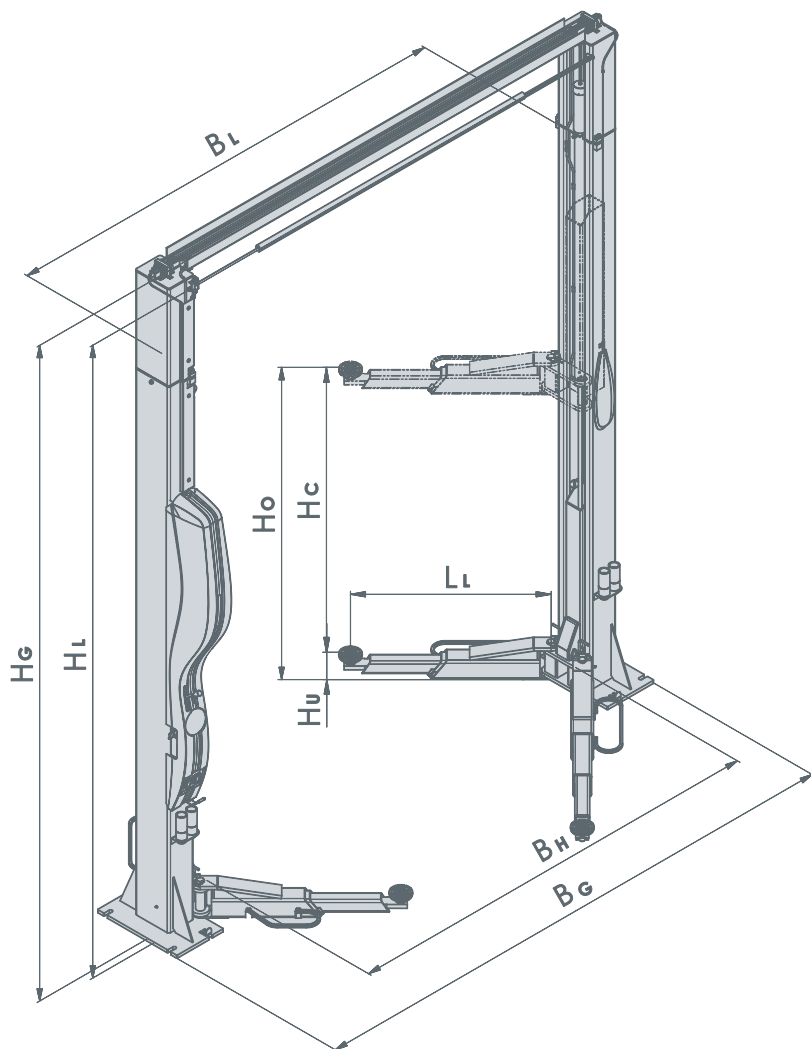
ELECTRO BOX EB2



TECHNICAL DATA

AMI 5,5 VAN / AMI 8,0 BUS

Technical drawing for symmetric two post hydraulic lifts



Technical data for symmetric hydraulic lifts

	AMI 5,5 VAN	AMI 8,0 BUS
Maximum loading capacity	5500 kg	8000 kg
Maximum lifting time	48 s	100 s
Minimum lowering time	26 s	42 s
Power system	TN-S 3/N/PE 400/230V AC, 50 Hz	
Motor	3,0 kW	3,0 kW
Maximum height of arm H_o	1979 mm	2169 mm
Minimum height of arm H_u	129 mm	144 mm
Maximum clearance height H_L	3863/4163/4463/4763 /5263 mm	4220/4570/4870 mm
Total height H_G	4006/4306/4606/4906 /5406 mm	4350/4700/5000 mm
Maximum clear distance of posts B_L	3000 mm	3100 ÷ 4100 mm
Maximum clearance width B_H	2765 mm	2800 mm
Total width B_G	3600 mm	3976 mm
Extension of arm L_L	700 mm ÷ 1421 mm	900 mm ÷ 2000 mm
Thickness of slab	300 mm	230 mm

▪ right to make technical changes reserved



TECHNICAL DATA

TWO POST HYDRAULIC LIFT

Lift assembling

- AMI lifts are typically delivered pre-assembled and packed in heavy transport resistant frame.
- To put on the hand the lift correctly is particularly difficult task. Therefore is strongly recommended that the lift is assembled, fixed on the floor and adjusted by specialists certified by producer.
- The building roof must be higher about 100mm than the total lifting height.
- AMI lifts can be fixed only on top quality concrete floor representing the high quality concrete (the minimum concrete quality mark C20/25 according to DIN 1045:2001-07) slab at:

160 mm AMI 3,0 ECO LINE

200 mm AMI 3,6 CLASSIC / AMI 4,0 VARIANT

300 mm AMI 5,5 VAN

230 mm AMI 8,0 BUS

alternatively, on the foundation of the same concrete having the dimensions 1200 by 700 mm (1200 x 1200 mm for AMI 8,0 BUS) under each post and sunk to a minimum depth of 500 mm indoors (800 mm for AMI 8,0 BUS) and 800 mm outdoors (1000 mm for AMI 8,0 BUS).

- There must be an electricity line available at the site complying with the following specifications: TN-S 3/N/PE AC 400V/230V/50 Hz. This power line must be provided with the 16/3/B (20/3/B for AMI 5,5 VAN and AMI 8,0 BUS) amperes contact breaker fuse complying with the characteristics of the electric motor of the lift. Power mains must be executed by a flexible cable type H05VV-F.
- The oil tank of the lift must be filled with the oil OHHM 32 (the level of filling can be checked through the transparent plastic tank).

Packing dimensions

TYPE	LENGTH	WIDTH	HEIGHT	GROSS WEIGHT
AMI 3,0 ECO LINE	3,8 m	1,12 m	0,45 m	520 kg
AMI 3,6 CLASSIC	3,70 m	1,15 m	0,45 m	570 kg
AMI 4,0 VARIANT 4000/4200/4400/4650 mm	max.4,8 m	1,15 m	0,45 m	620/625/635/640 kg
AMI 5,5 VAN: 4000/4300/4600/4900/5400 mm	5,7 m	1,15 m	0,52 m	896/921/931/951/977 kg
AMI 8,0 BUS 4350/4700/5000 mm	max.5,05 m	1,15 m	1,01 m	1489/1510/1530 kg

- right to make technical changes reserved

Colour of the lifts according end-user request, RAL classification as reference



AMI 3,0 ECO LINE

AMI 3,6 CLASSIC / 4,0 VARIANT

AMI 5,5 VAN

AMI 8,0 BUS

AMI 4,0 N-WAY / IN

AMI 5,5 N-WAY / IN

AMI 5,5 / 7,5 TRUCK

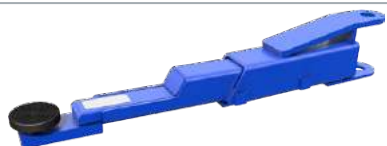
AMI J 2,0 / 2,5 RH / 2,5 VH



ACCESSORIES

TWO POST HYDRAULIC LIFTS

Low profile arm



- short, 570-890 mm, 030216-00-00
- long, 930-1480 mm, 030211-00-0

Application:

AMI 3,0 ECO LINE

3-stage arms

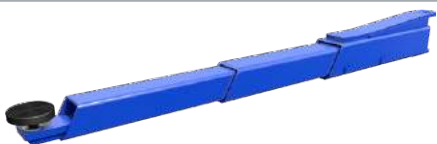


- 726-1447 mm, 092209-00-00

Application:

AMI 3,0 ECO LINE
AMI 3,6 CLASSIC
AMI 4,0 VARIANT

3-stage arms EX



- 900-2000 mm, 398210-00-00

Application:

AMI 5,5 VAN

Adapters for commercial vehicles



- Adapter „PIN“ 398294-00-00, A
- Adapter „PIN“ 397298-00-00, D



- Adapter „V“ 398295-00-00, B
- Adapter „V“ 397299-00-00, E



- Adapter „RING“ 398296-00-00, C



- Adapter „U I“ 398297-00-00, F



- Adapter „U II“ 398298-00-00, G

Application:

AMI 3,0 ECO LINE A/B/C/F/G
AMI 3,6 CLASSIC A/B/C/F/G
AMI 4,0 VARIANT A/B/C/F/G
AMI 5,5 VAN A/B/C/F/G
AMI 8,0 BUS D/E/C

Rubber pads



- Rubber pad Ø 125 mm, GP12, 330000000219



- Rubber pad with the steel frame GPK, 94218



- Rubber pad - ring, Ø 125 mm, GPVA 092294-00-00

- Rubber pad - ring, Ø 125 mm, GPVB 399294-00-00



- Rubber pad - rectangular, 148x80 mm, GPVO 092295-00-00

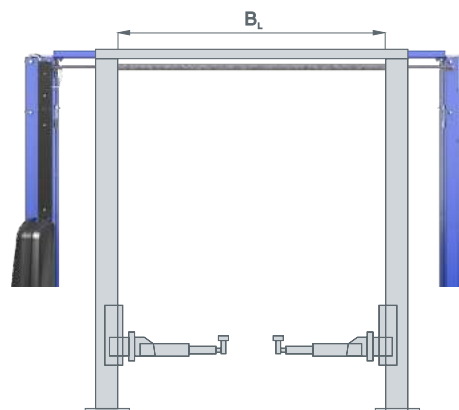
Application:

AMI 3,0 ECO LINE GP12, GPK, GPVA, GPVO
AMI 3,6 CLASSIC GP12, GPK, GPVA, GPVO
AMI 4,0 VARIANT GP12, GPK, GPVA, GPVO

AMI 5,5 VAN
AMI 8,0 BUS

GP12, GPK, GPVA, GPVO
GP12, GPVB

Special lift width



- Special lift width (dimension in scheme B_L)

Application:

AMI 3,0 ECO LINE 0 mm - 3400 mm
AMI 3,6 CLASSIC 0 mm - 3400 mm
AMI 4,0 VARIANT 0 mm - 3400 mm
AMI 5,5 VAN 0 mm - 4600 mm
AMI 8,0 BUS 0 mm - 4100 mm



ACCESSORIES

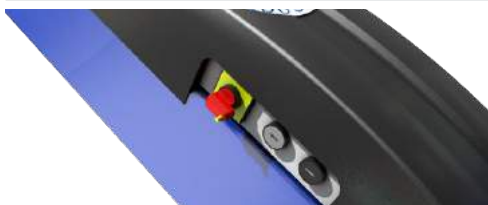
TWO POST HYDRAULIC LIFTS

Truck adaptor



- Truck adaptor, NP05, 80301
- Truck adaptor, NP10, 80302
- Truck adaptor, NP15, 80303
- Truck adaptor, NP25, 80304
- Truck adaptor, NH06, 397301-00-00
- Truck adaptor, NH12, 397302-00-00
- Truck adaptor, NH18, 397303-00-00
- Truck adaptor, NH24, 397304-00-00

Electro-magnetic button operating system



- Electro-magnetic button operating system

Application:

AMI 3,6 CLASSIC
AMI 4,0 VARIANT
AMI 5,5 VAN

Electro box



- EB1
092094-00-00



- EB1 - 4
092094-02-00



- EB2
092095-00-00

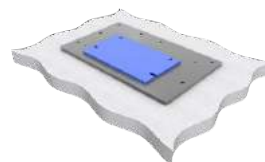


- EB3
092096-00-00

Application:

AMI 3,0 ECO LINE
AMI 3,6 CLASSIC
AMI 4,0 VARIANT
AMI 5,5 VAN
AMI 8,0 BUS

Stabilizing plate

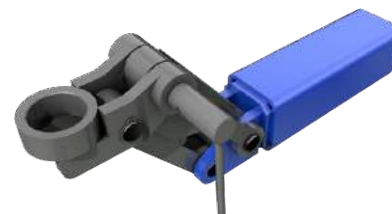


- When the ground is not solid enough

Application:

AMI 4,0 VARIANT (100 mm) 092600-00-00
AMI 5,5 VAN (120 mm) 098600-00-00

Adjustable pads



- Adjustable pads SP 092851-00-00

Application:

AMI 3,0 ECO LINE

Zincing baseplate



- Zincing lower part of lift

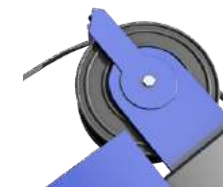
Application:

AMI 3,0 ECO LINE
AMI 3,6 CLASSIC
AMI 4,0 VARIANT
AMI 5,5 VAN
AMI 8,0 BUS

Other accessories



- integrated socket
3Ph/400/16
092093-00-00



- air hose reel
092092-00-00



- power reel
092091-00-00

Application:

AMI 3,0 ECO LINE
AMI 3,6 CLASSIC
AMI 4,0 VARIANT
AMI 5,5 VAN
AMI 8,0 BUS

Alternative electrical power supply system

- TN-S 3NPE 220/127V AC, 50Hz
- TN-S 1NPE 230V AC, 50Hz
- IT 3PE 230V AC, 50Hz
- TN-S 3NPE 400/230V AC, 60Hz
- TN-S 3NPE 220/127V AC, 60Hz
- TN-S 3NPE 208/120V AC, 60Hz